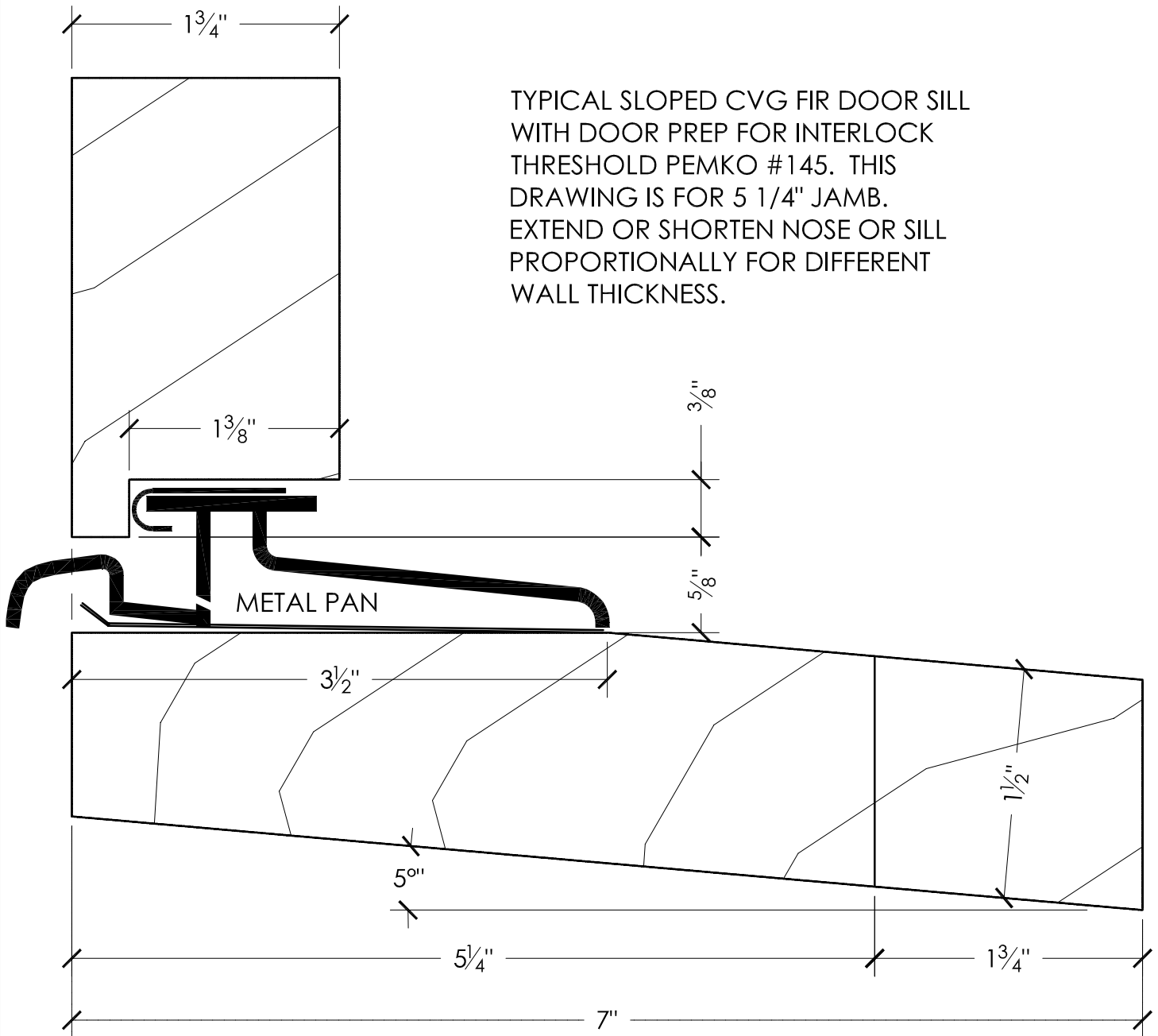


BEVELED DOOR SILL



TYPICAL SLOPED CVG FIR DOOR SILL WITH DOOR PREP FOR INTERLOCK THRESHOLD PEMKO #145. THIS DRAWING IS FOR 5 1/4" JAMB. EXTEND OR SHORTEN NOSE OR SILL PROPORTIONALLY FOR DIFFERENT WALL THICKNESS.