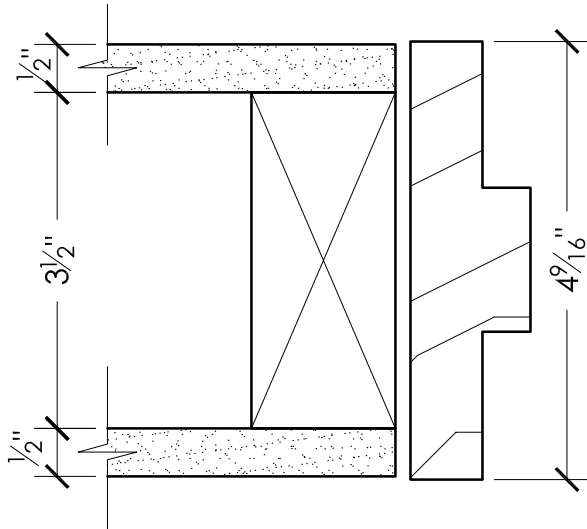
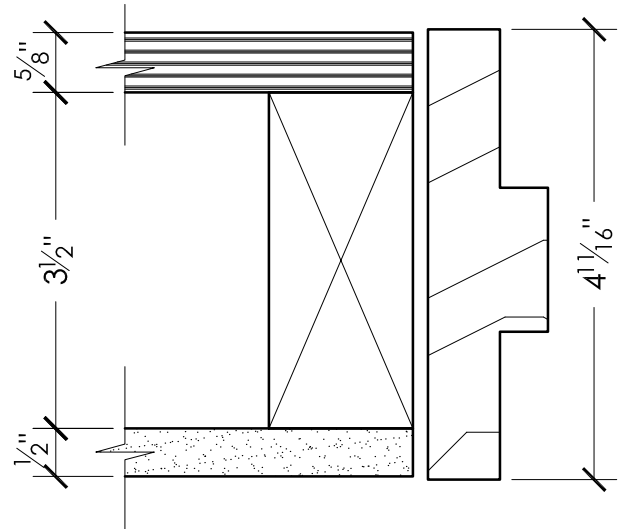


# TYPICAL WALL THICKNESS DETAILS

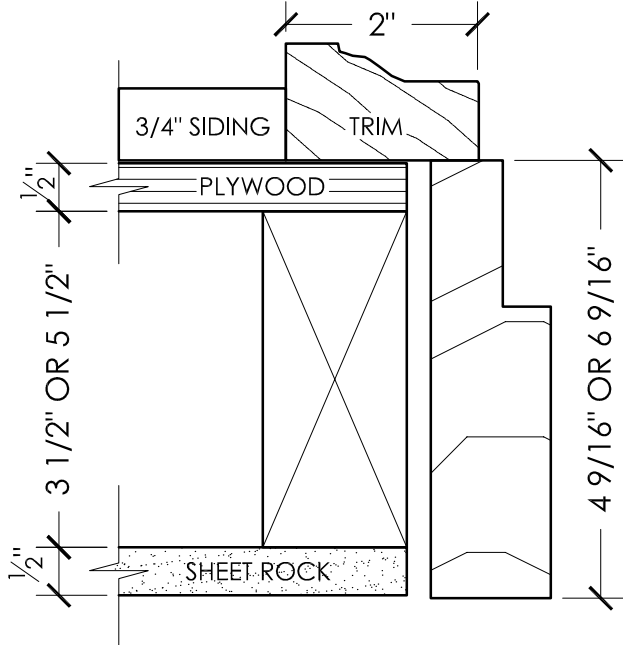
TYPICAL NEW CONSTRUCTION  
INTERIOR WALL WITH 1/2" SHEETROCK ON BOTH SIDES



REMODELED CONSTRUCTION  
INTERIOR WALL WITH 1/2" SHEETROCK AND 5/8" PLASTER



TYPICAL EXTERIOR 2X4 WALL  
WITH 1/2" SHEETROCK AND  
1/2" SHEATHING (SIDING BUTTS  
TO TRIM) 2 X 6 WALL SIMILIAR  
IN NEW EXTERIORS 6 9/16"



OLDER CONSTRUCTION (PRE-1940'S)  
EXTERIOR WALL WITH 3/4" PLASTER AND  
EXTERIOR TRIM OVER 3/4" SHIPLAP BOARDS  
(SIDING BUTTS INTO EDGE OF TRIM) OR TRIM  
OVER 3/4" SIDING WITH NO SHEATHING

